



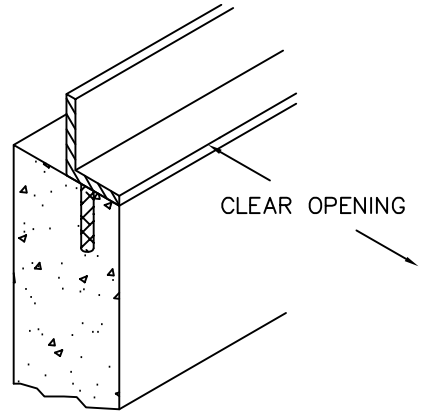
MADRUGA IRON WORKS, INC.

Metal Fabrication and Machining

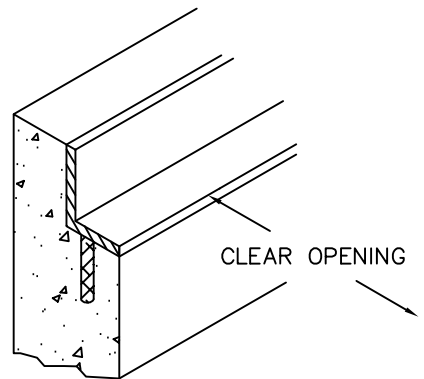
305 GANDY DANCER, TRACY, CA 95377
www.madrugaironworks.com

Ph: (209) 832-7003 Fax: (209) 832-2444

CAST IN FRAME



CAST IN FRAME FLUSH



SKIRTED GRADE
ADJUSTABLE FRAME

