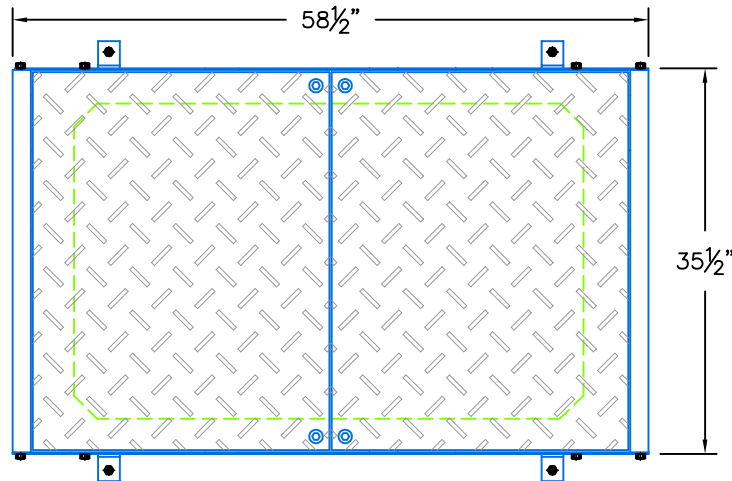




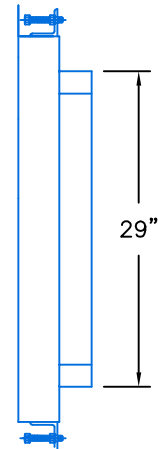
MADRUGA IRON WORKS, INC.

Metal Fabrication and Machining

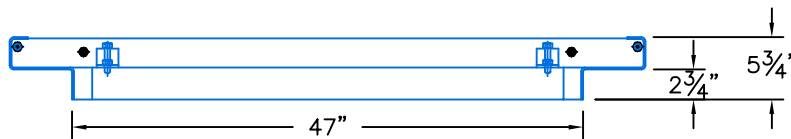
305 GANDY DANCER, TRACY, CA 95377 Ph: (209) 832-7003 Fax: (209) 832-2444
www.madrugaironworks.com



PLAN VIEW



END VIEW



SIDE VIEW

30" x 48" (Nominal) MIW Style Frame & Cover Assembly

Approximate Weight: XXX lbs

Loading: AASHTO H-20 - Traffic Loading

Live Load: 16,000 lb. Wheel Load -

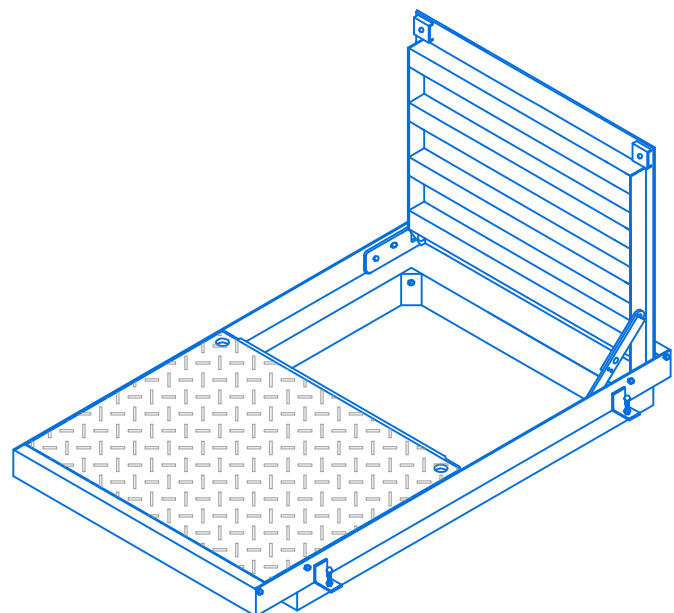
Impact: 0.00%

NOTES:

1. STEEL, DIAMOND PLATE COVER
2. CLEAR OPENING
3. BOLT-DOWN (4-PLACES)
4. HINGED
5. TORSION ASSIST
6. ADJUSTABLE FRAME
7. PAINTED (DARK GRAY)

AVAILABLE OPTIONS:

1. GALVANIZED FINISH
2. NON-SLIP PLATE, GALVANIZED OR PAINTED
3. SAND EPOXY FINISH
4. LATCH HOLD DOWN
5. CAST-IN FRAME



ISOMETRIC DETAIL