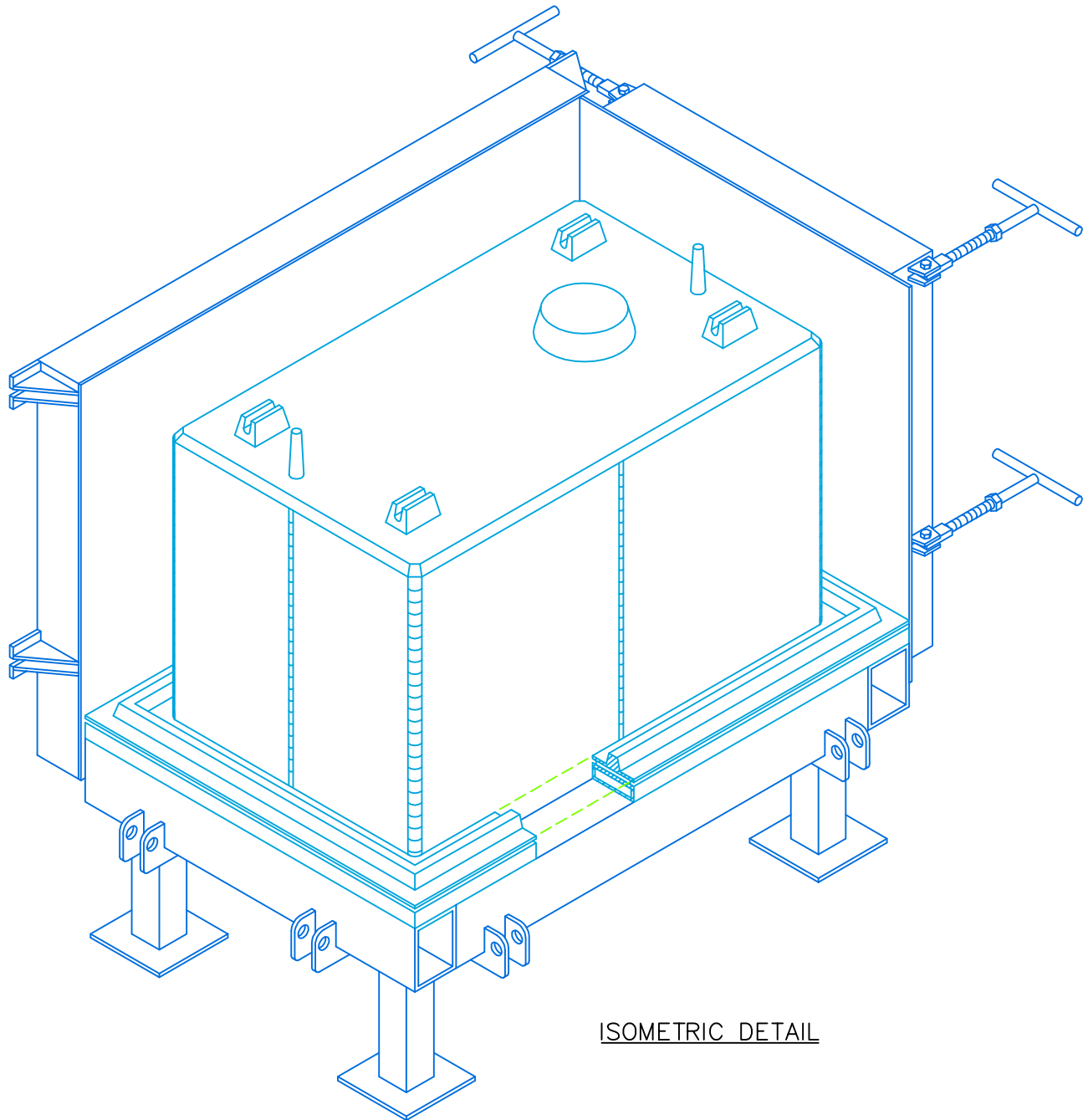




# MADRUGA IRON WORKS, INC.

Metal Fabrication and Machining

305 GANDY DANCER, TRACY, CA 95377 Ph: (209) 832-7003 Fax: (209) 832-2444  
www.madrugaironworks.com



ISOMETRIC DETAIL

## Straight Wall Mold

**NOTES:**

1. COLLAPSIBLE INSIDE CAN
2. ADJUSTABLE PALLET
3. LAYBACK, HINGED DOORS
4. VARIOUS SIZES AVAILABLE
5. CATWALKS AVAILABLE ON LARGER MOLDS



TONGUE & GROOVE  
KEYWAY



SHIP-LAP  
KEYWAY