

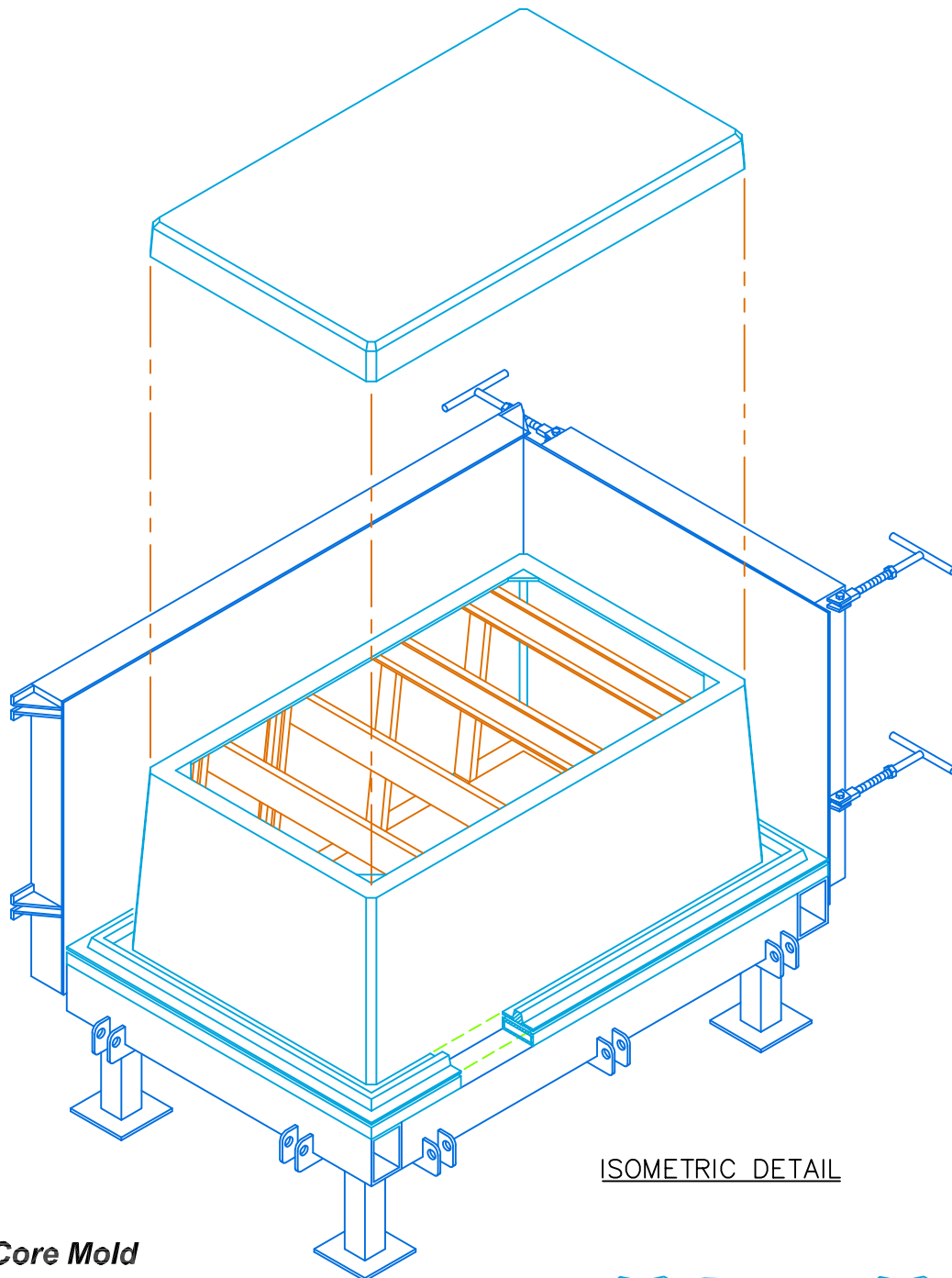


MADRUGA IRON WORKS, INC.

Metal Fabrication and Machining

305 GANDY DANCER, TRACY, CA 95377
www.madrugaironworks.com

Ph: (209) 832-7003 Fax: (209) 832-2444



ISOMETRIC DETAIL

Tapered Core Mold

NOTES:

1. TAPERED, FIXED INSIDE CAN
2. ADJUSTABLE PALLET
3. LAYBACK, HINGED DOORS
4. VARIOUS SIZES AVAILABLE
5. CATWALKS AVAILABLE ON LARGER MOLDS



TONGUE & GROOVE
KEYWAY



SHIP-LAP
KEYWAY