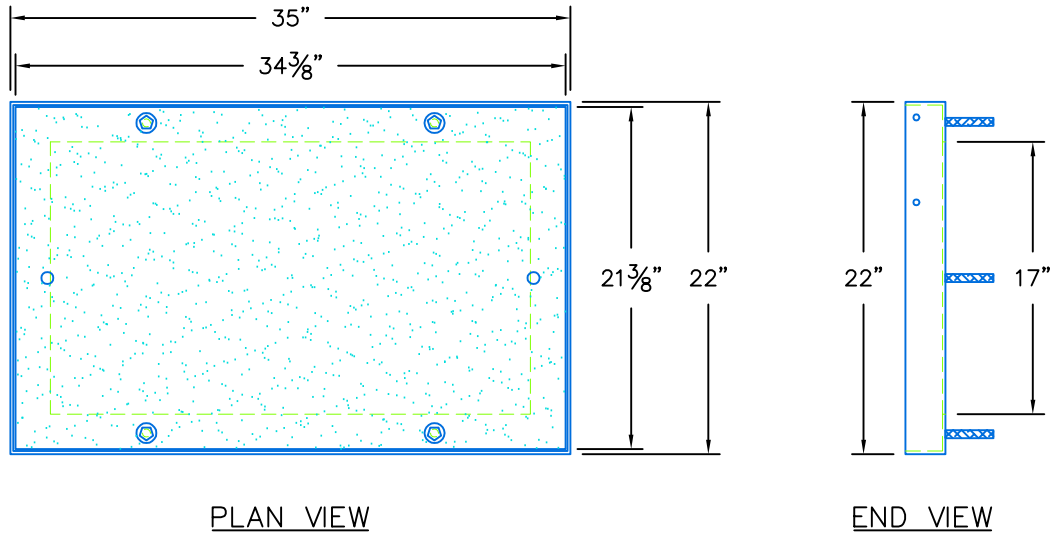




# MADRUGA IRON WORKS, INC.

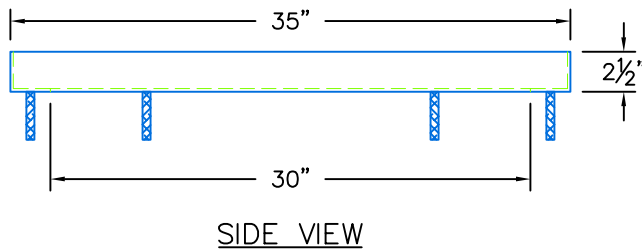
Metal Fabrication and Machining

305 GANDY DANCER, TRACY, CA 95377 Ph: (209) 832-7003 Fax: (209) 832-2444  
www.madrugaironworks.com



PLAN VIEW

END VIEW



SIDE VIEW

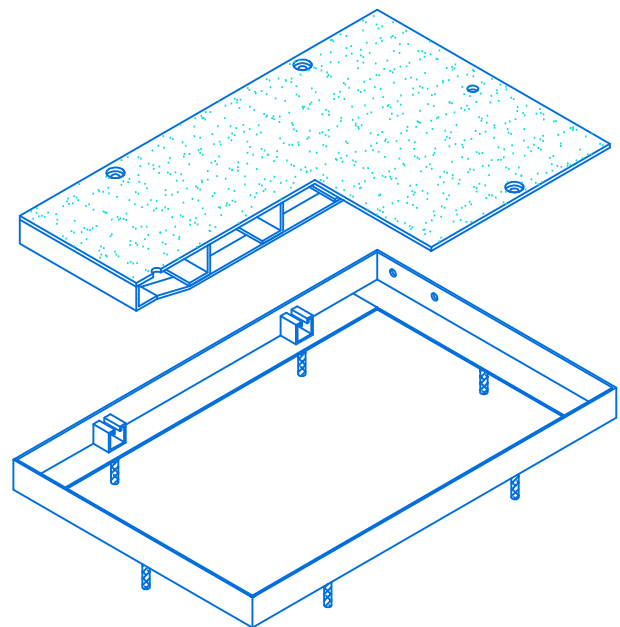
## 17" x 30" (Nominal) Secondary Enclosure Frame and Cover

Approximate Weight: 85 lbs

Loading: AASHTO H-20 - Traffic Loading  
Live Load: 16,000 lb. Wheel Load -  
Impact: 0.00%

### NOTES:

1. PG&E Code #: 017962
2. NON-SLIP STEEL COVER
3. CLEAR OPENING
4. DRAG-OFF COVER
5. PENTA-HEAD BOLT DOWN
6. CAST-IN FRAME
7. GALVANIZED



ISOMETRIC DETAIL