

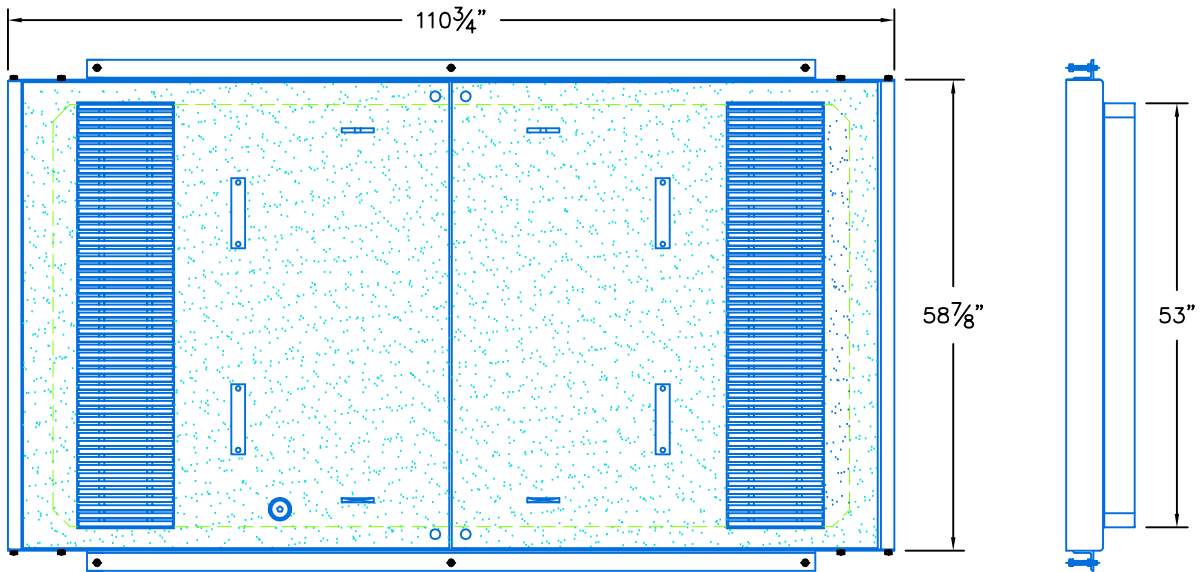


MADRUGA IRON WORKS, INC.

Metal Fabrication and Machining

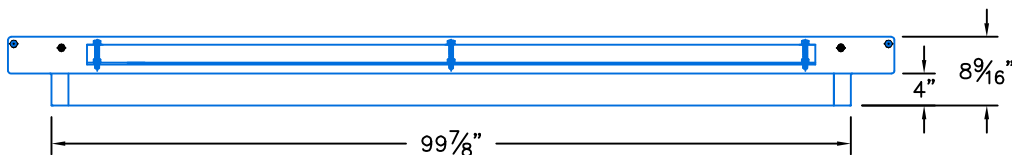
305 GANDY DANCER, TRACY, CA 95377
www.madruгаironworks.com

Ph: (209) 832-7003 Fax: (209) 832-2444



PLAN VIEW

END VIEW



SIDE VIEW

4'-6" x 8'-6" (Nominal) Primary Transformer Frame and Cover Assembly

Approximate Weight: 580 lbs

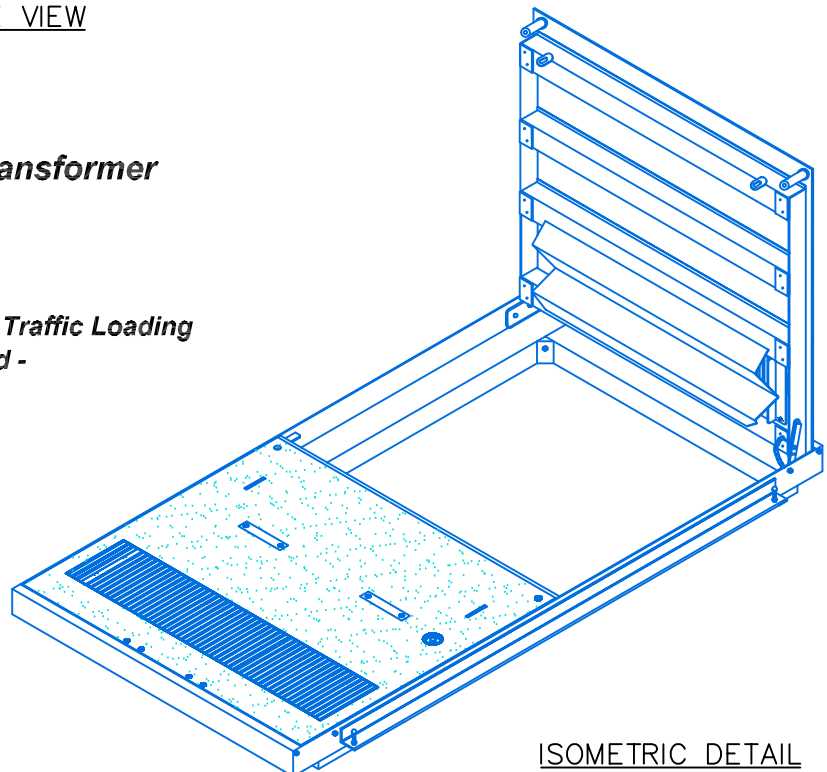
Loading: AASHTO H-10 - Light Vehicular Traffic Loading

Live Load: 8,000 lb. Wheel Load -

Impact: 0.00%

NOTES:

1. PG&E Code #: 031830
2. NON-SLIP ALUMINUM COVER
3. CLEAR OPENING
4. TORSION ASSIST
5. HOLD OPEN LATCH
6. CAMLOCK BOLT-DOWN
7. EPOXY COATED GRATING
8. ADJUSTABLE FRAME
9. GALVANIZED



ISOMETRIC DETAIL