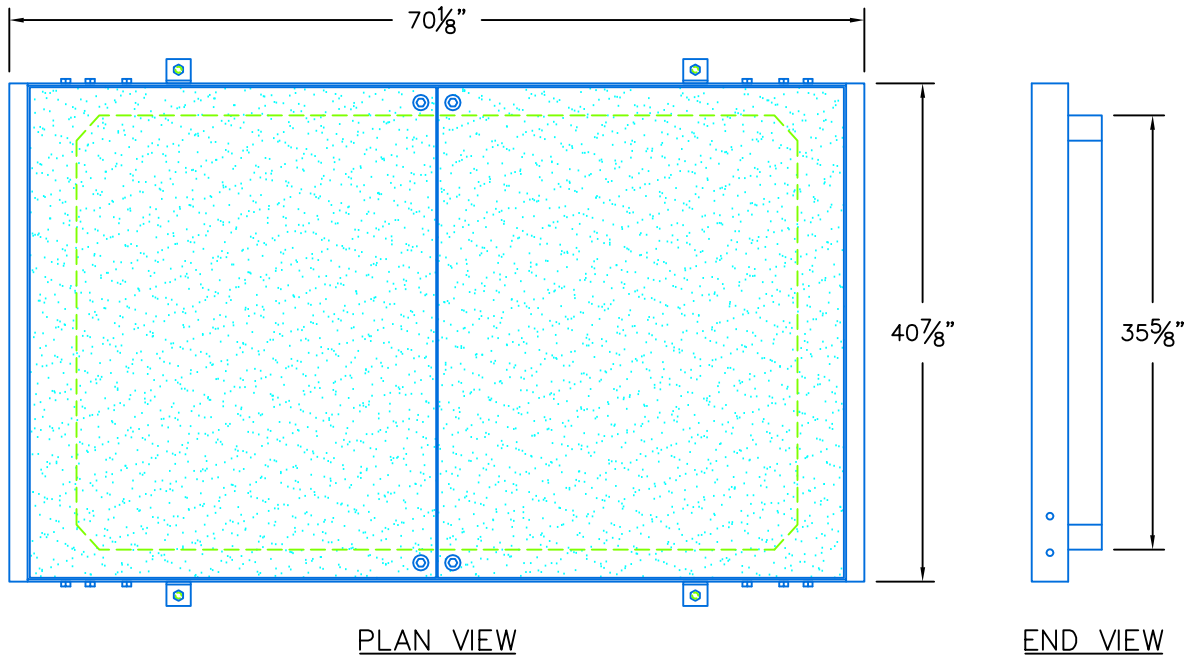




MADRUGA IRON WORKS, INC.

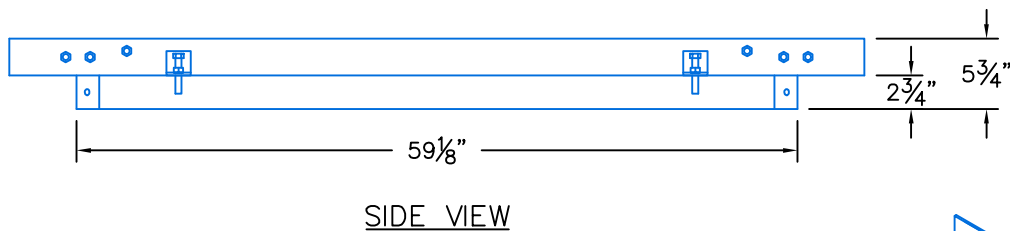
Metal Fabrication and Machining

305 GANDY DANCER, TRACY, CA 95377 Ph: (209) 832-7003 Fax: (209) 832-2444
www.madrugaironworks.com



PLAN VIEW

END VIEW



SIDE VIEW

36" x 60" (Nominal) Telephone Style Frame & Cover Assembly

Approximate Weight: 435 lbs

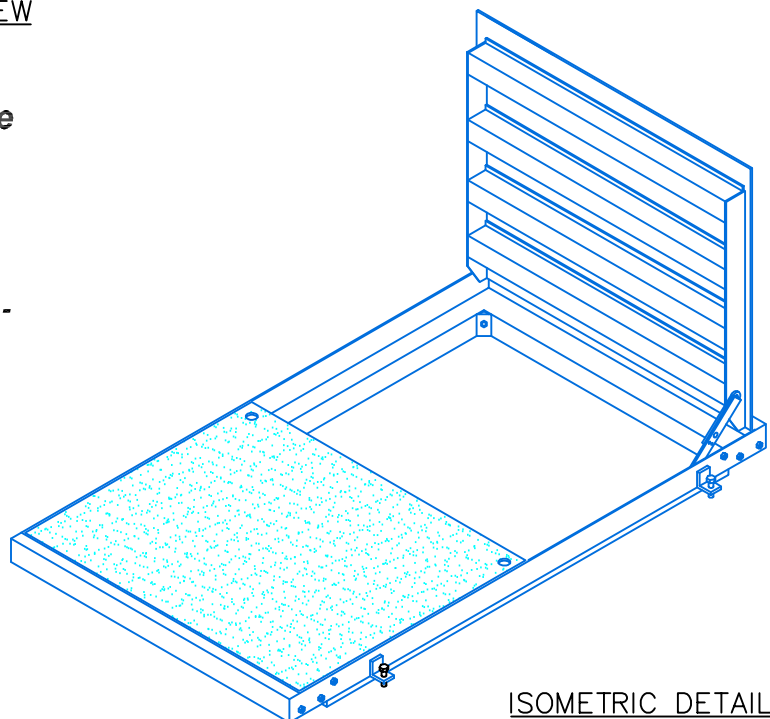
Loading: AASHTO H-20 - Traffic Loading

Live Load: 16,000 lb. Wheel Load -

Impact: 0.00%

NOTES:

1. STEEL NON-SLIP COVER
2. CLEAR OPENING
3. BOLT-DOWN (4-PLACES)
4. HINGED
5. TORSION ASSIST
6. ADJUSTABLE FRAME
7. PAINTED (DARK GRAY)



ISOMETRIC DETAIL