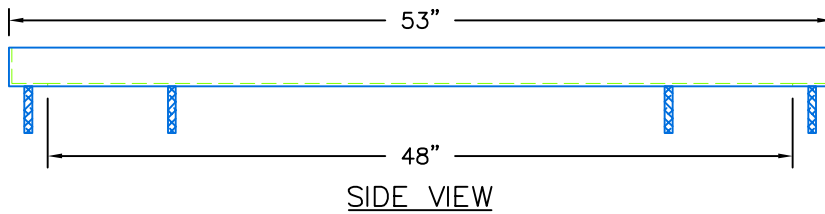
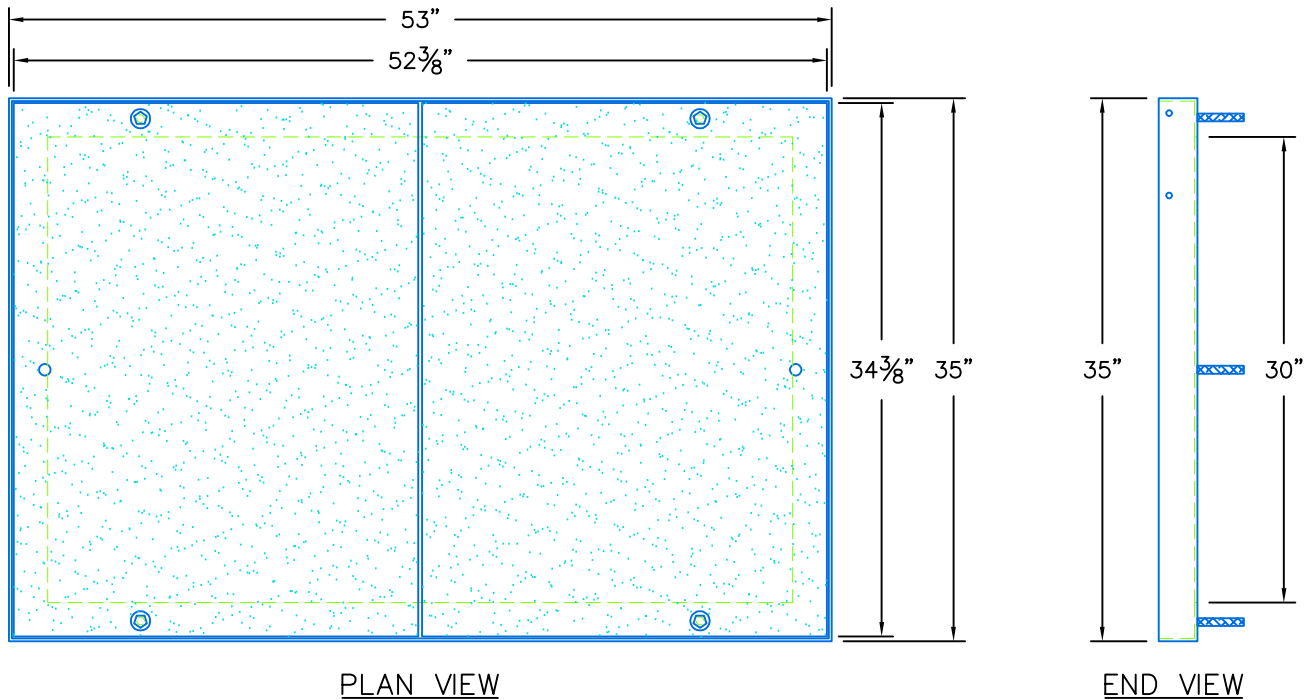




MADRUGA IRON WORKS, INC.

Metal Fabrication and Machining

305 GANDY DANCER, TRACY, CA 95377 Ph: (209) 832-7003 Fax: (209) 832-2444
www.madrugaironworks.com



30" x 48" (Nominal) Secondary Enclosure Frame and Cover

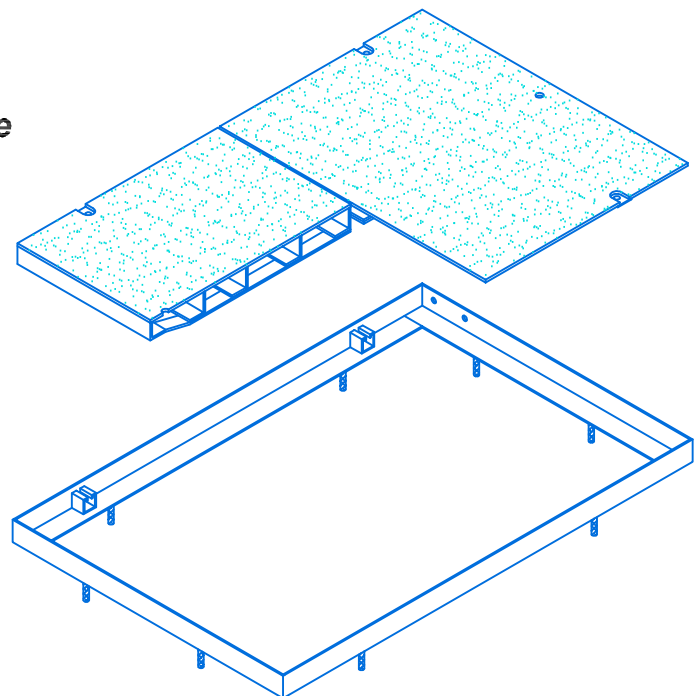
Approximate Weight: 310 lbs

Loading: AASHTO H-20 - Full Traffic Loading

Live Load: 16,000 lb. Wheel Load -
Impact 30.00%

NOTES:

1. PG&E Code #: 043732 (Obsolete)
2. NON-SLIP MEBAC COVER
3. CLEAR OPENING
4. DRAG-OFF COVER
5. PENTA-HEAD BOLT DOWN
6. CAST-IN FRAME



ISOMETRIC DETAIL