



MADRUGA IRON WORKS, INC.

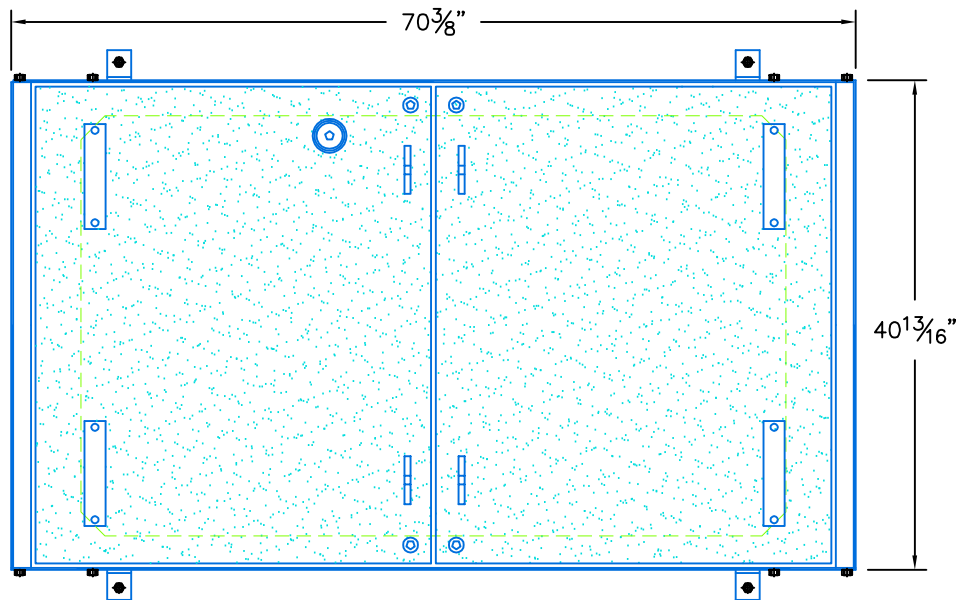
Metal Fabrication and Machining

305 GANDY DANCER, TRACY, CA 95377

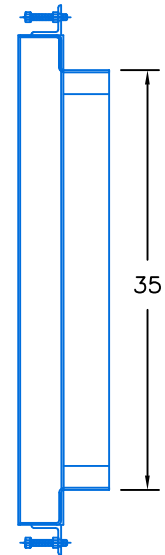
Ph: (209) 832-7003

Fax: (209) 832-2444

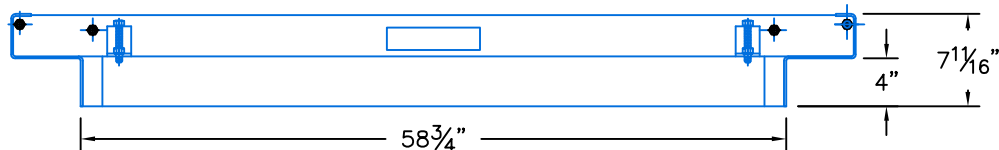
www.madrugaironworks.com



PLAN VIEW



END VIEW



SIDE VIEW

3' x 5' (Nominal) Primary Splice Frame and Cover Assembly

Approximate Weight: 295 lbs

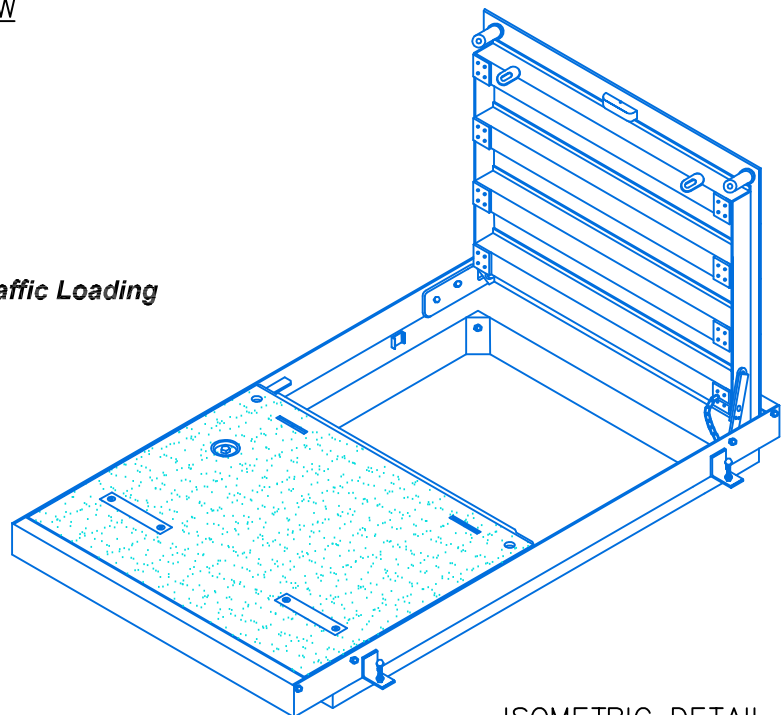
Loading: AASHTO H-10 - Light Vehicular Traffic Loading

Live Load: 8,000 lb. Wheel Load -

Impact: 0.00%

NOTES:

1. PG&E Code #: 025604
2. NON-SLIP ALUMINUM COVER
3. CLEAR OPENING
4. TORSION ASSIST
5. HOLD OPEN LATCH
6. CAMLOCK BOLT-DOWN
7. ADJUSTABLE FRAME
8. GALVANIZED



ISOMETRIC DETAIL