



# MADRUGA IRON WORKS, INC.

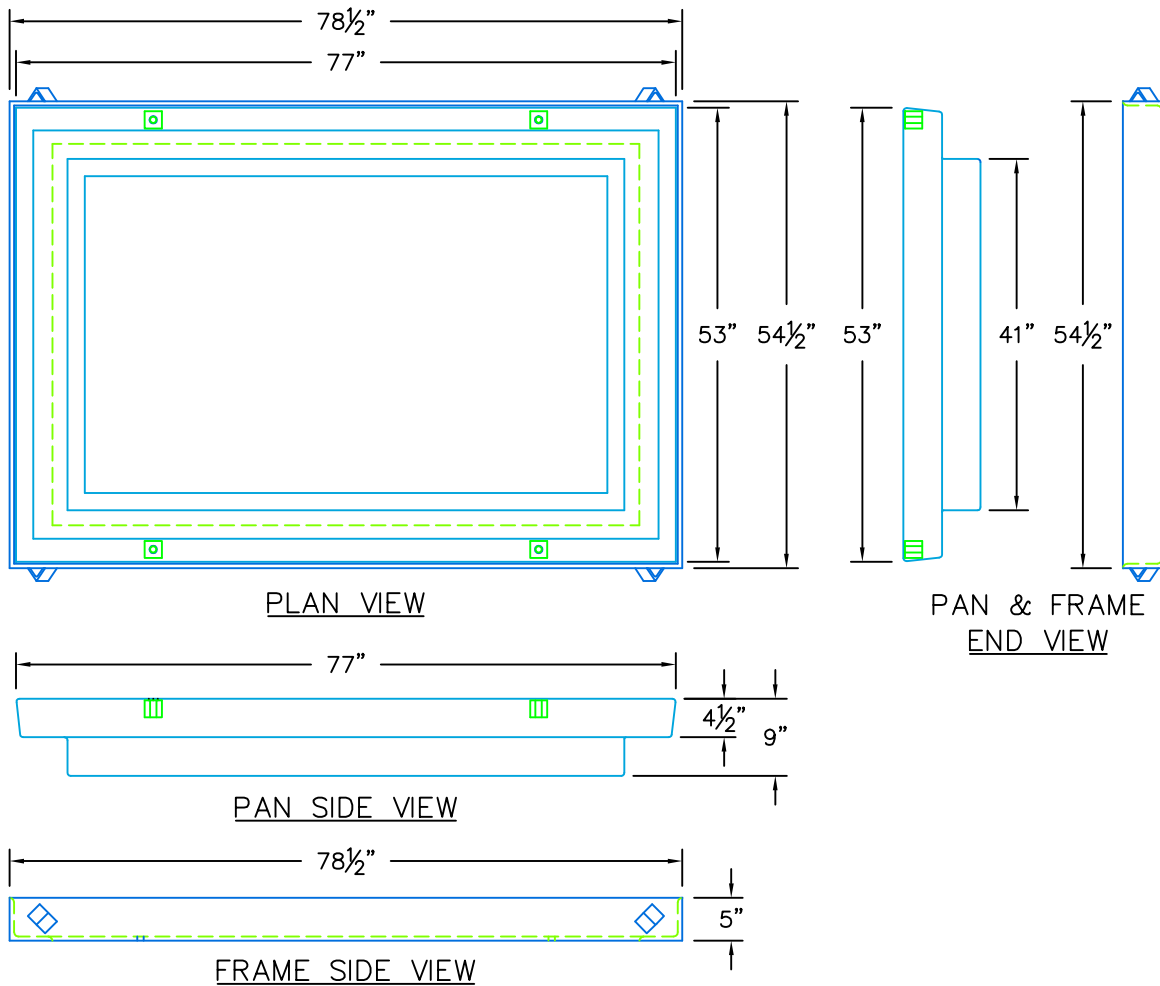
Metal Fabrication and Machining

305 GANDY DANCER, TRACY, CA 95377

Ph: (209) 832-7003

Fax: (209) 832-2444

www.madrugaironworks.com



## 3'-6" x 5'-6" (Nominal) S.M.U.D. Traffic, Pan & Frame

Approximate Pan Weight: xxxx lbs (Steel Only)

Approximate Frame Weight: xxxx lbs

Loading: (When Pan Filled with Concrete)

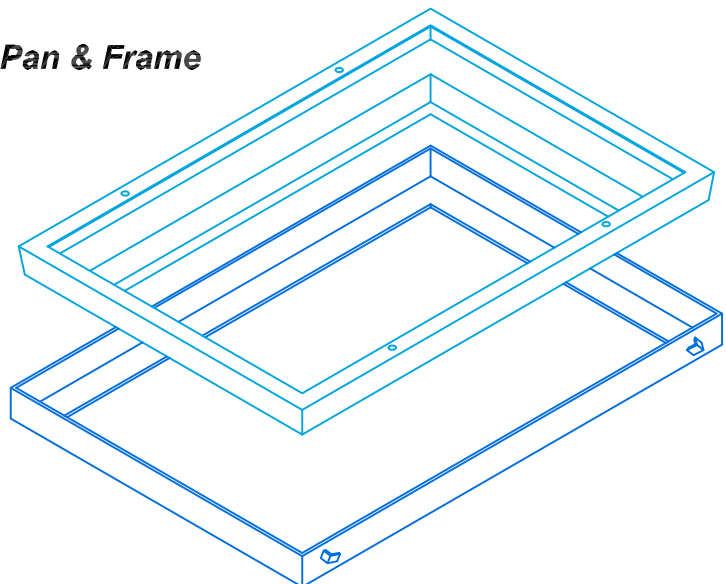
AASHTO H-20 - Full Traffic Loading

Live Load: 16,000 lb. Wheel Load -

Impact: 30.00%

### NOTES:

1. S.M.U.D. - XXX
2. REMOVABLE PAN SECTION
3. LEVELING BOLTS IN FRAME
4. GALVANIZED



ISOMETRIC DETAIL