



# MADRUGA IRON WORKS, INC.

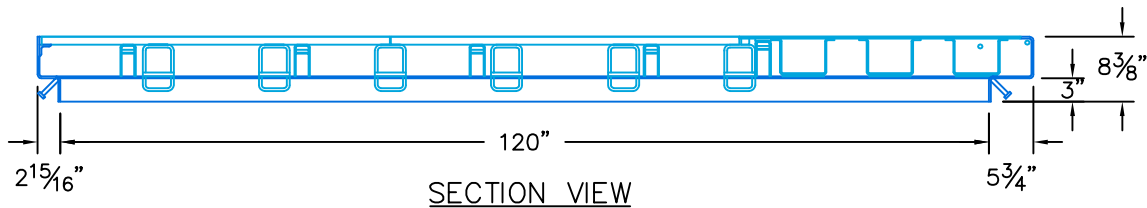
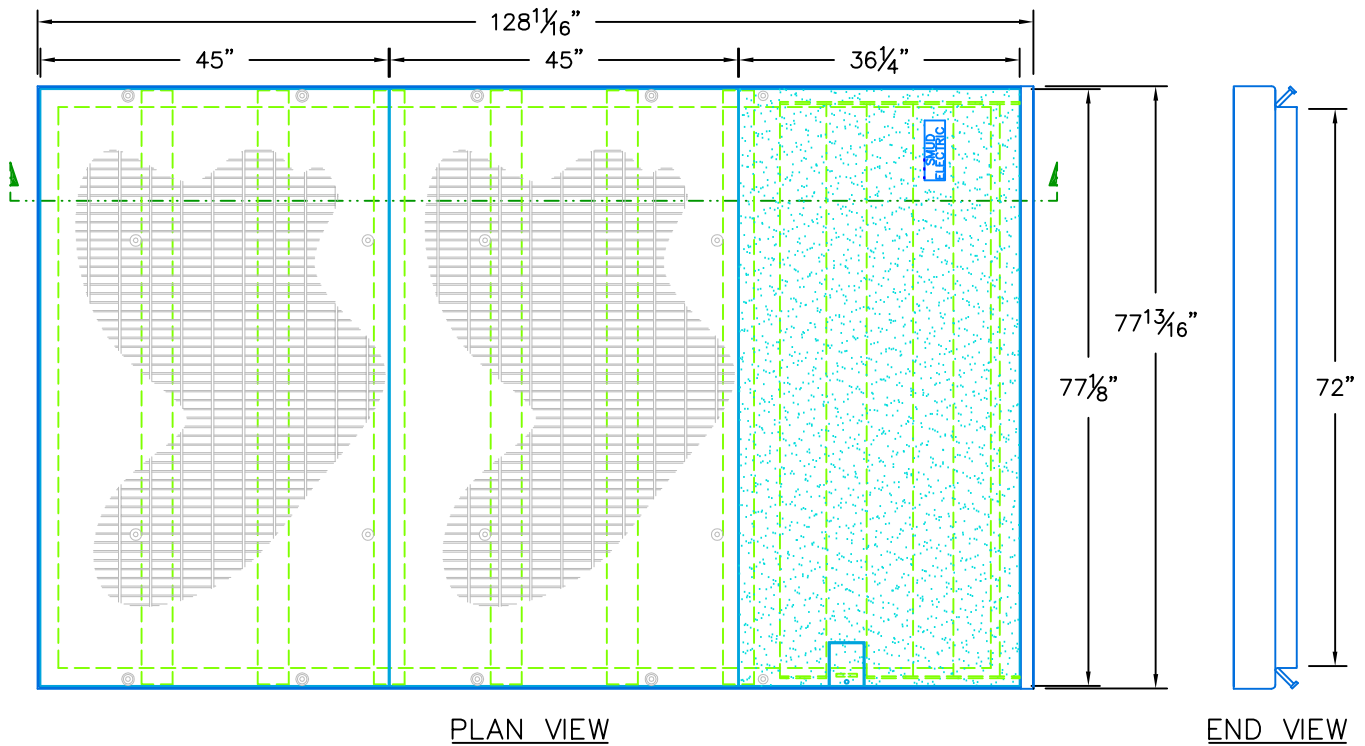
Metal Fabrication and Machining

305 GANDY DANCER, TRACY, CA 95377

Ph: (209) 832-7003

Fax: (209) 832-2444

www.madrugaironworks.com

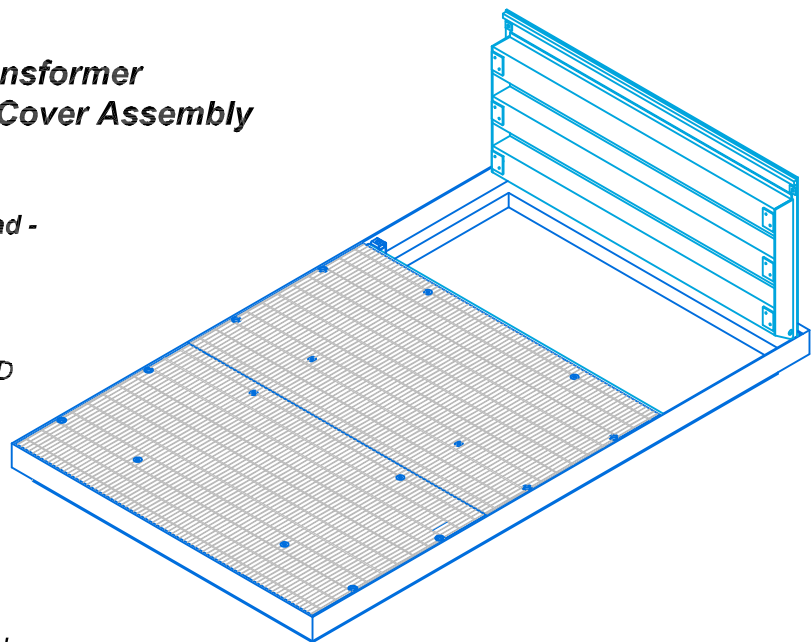


## 72" x 120" (Nominal) S.M.U.D. Transformer Frame and Grate with Aluminum Cover Assembly

**Loading: AASHTO H-20 - Traffic Loading**  
**Live Load: 16,000 lb. Wheel Load -**  
**Impact 0.00%**

**NOTES:**

1. 2-PIECE GRATE w/ BEAM ATTACHED
2. DRAG-OFF GRATES
3. 1-PIECE ALUMINUM COVER
4. SLIP RESISTANT
5. TORSION ASSIST
6. LOCK-BOX
7. CLEAR OPENING
8. PENTA-HEAD BOLT DOWN
9. CAST-IN FRAME
10. GALVANIZED AFTER FABRICATION



ISOMETRIC DETAIL