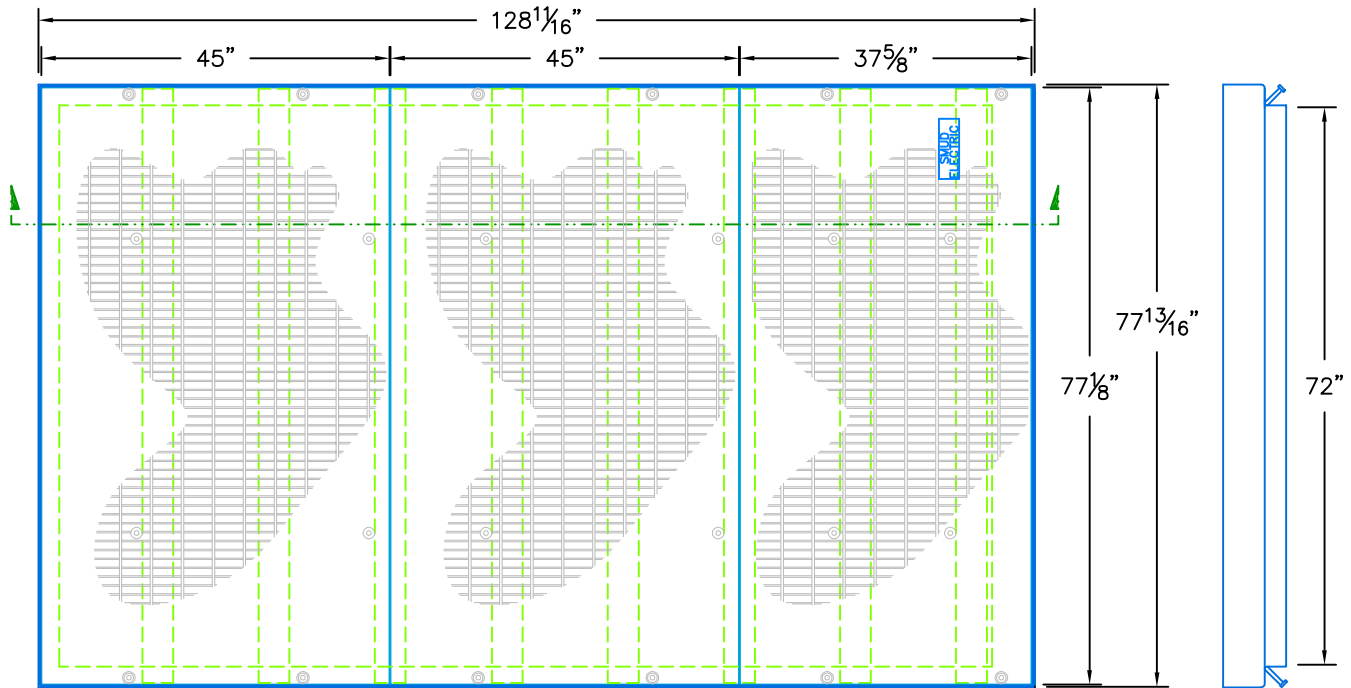




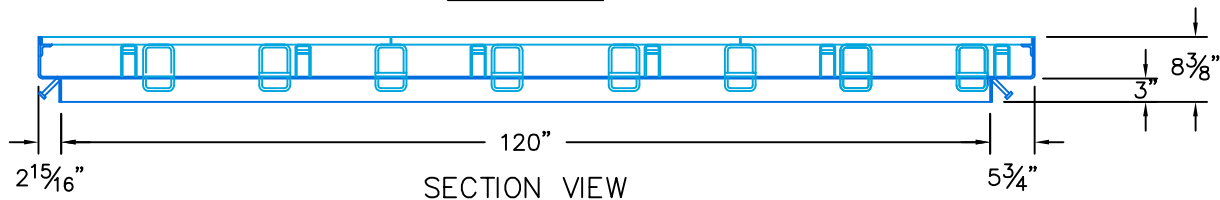
# MADRUGA IRON WORKS, INC.

Metal Fabrication and Machining

305 GANDY DANCER, TRACY, CA 95377 Ph: (209) 832-7003 Fax: (209) 832-2444  
www.madrugaironworks.com



PLAN VIEW



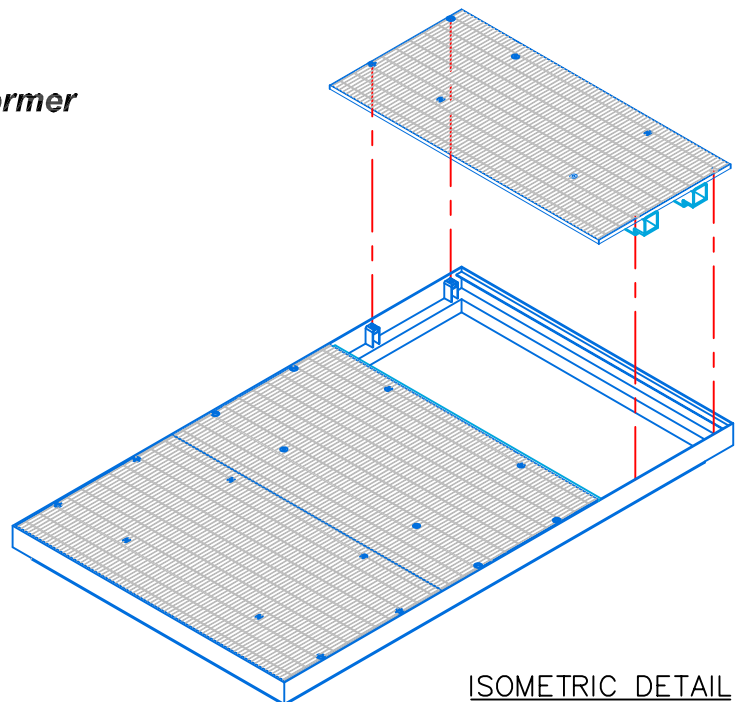
SECTION VIEW

## 72" x 120" (Nominal) S.M.U.D. Transformer Frame and Grate Assembly

Loading: AASHTO H-20 - Traffic Loading  
Live Load: 16,000 lb. Wheel Load -  
Impact 0.00%

NOTES:

1. 3-PIECE GRATE w/ BEAM ATTACHED
2. DRAG-OFF GRATES
3. CLEAR OPENING
4. PENTA-HEAD BOLT DOWN
5. CAST-IN FRAME
6. GALVANIZED AFTER FABRICATION



ISOMETRIC DETAIL